

LULU Single-lever bath mixer with stand pipe for free-standing assembly with hand shower set - Chrome

LULU

25 863 710



- spout: circular, air-enriched flow
 - max. flow 26.4 l/min at 3 bar flow pressure
 - Hand shower: COMPACT RAIN, max. flow rate 6.8 l/min (at 3 bar)
 - bar-type hand shower with anti-scale system
 - wall bracket
 - automatic bath/shower diverter
 - 215mm projection
 - total height 932 - 1002 mm
 - stand pipe height 598 - 668 mm
 - height up to aerator 825 – 895 mm
 - push-on rosette 131 x 131 mm
 - metal shower hose 1250mm with integrated anti-twist protection
- Intrinsic protection against back flow.**



Chrome

25 863 710-00



Brushed Platinum

25 863 710-06

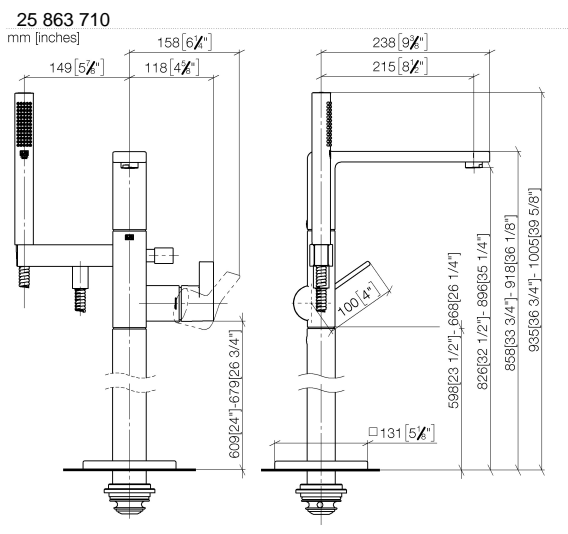
Intrinsic protection against back flow.

Required miscellaneous

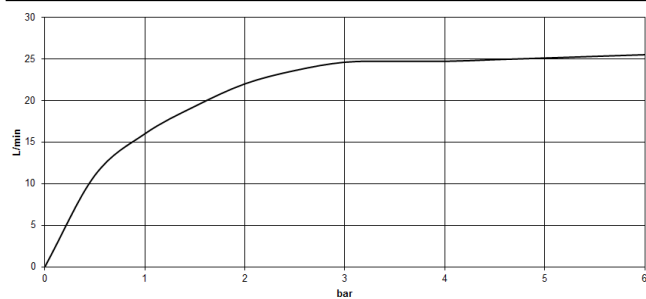


- Concealed floor mounting -**
- max. recess depth 150 mm
 - min. recess depth 80 mm

35 945 970 90



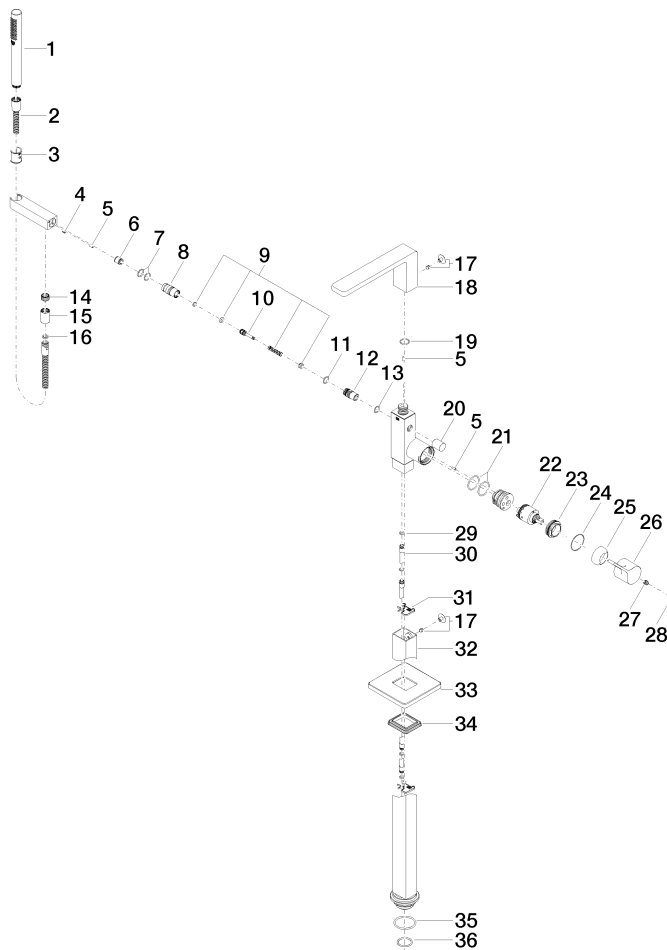
Flow rate chart



Certificates

Belgaqua_19_77_27. IAPMO_4976 (2). WRAS_2003006. LGA_29727. Belgaqua_24-003-27_1.

25 863 710





LULU Single-lever bath mixer with stand pipe for free-standing assembly with hand shower set - Chrome

LULU

25 863 710

Spare parts list

| No. | Item Number | Name | Quantity used | Delivery time |
|-----|--------------------|--|---------------|---------------|
| 1 | 90 12 11 140 30-00 | shower | 1 | 10 |
| 2 | 90 30 02 072 00-00 | Metal shower hose 1/2" x 3/8" x 1250 mm - Chrome | 1 | 10 |
| 3 | 09 18 40 118 90 | sleeve | 1 | 2 |
| 4 | 09 31 11 058 90 | pin | 1 | 2 |
| 5 | 09 31 11 040 90 | pin | 3 | 2 |
| 6 | 90 23 01 141 00 90 | back-flow preventer | 1 | 2 |
| 7 | 90 14 10 010 00 90 | seal | 2 | 2 |
| 8 | 09 24 03 130-00 | nipple | 1 | 10 |
| 9 | 90 16 02 023 00 90 | spring | 1 | 2 |
| 10 | 09 31 09 094 20-00 | pull-rod | 1 | 10 |
| 11 | 90 14 10 055 00 90 | seal | 1 | 2 |
| 12 | 09 21 34 080-00 | nipple | 1 | 10 |
| 13 | 90 14 10 033 00 90 | seal | 1 | 2 |
| 14 | 09 24 03 069 90 | nipple | 1 | 2 |
| 15 | 90 21 02 069 00-00 | cover | 1 | 10 |
| 16 | 90 14 20 026 00 90 | seal | 1 | 2 |
| 17 | 04 31 20 034 00 90 | plug | 2 | 2 |
| 18 | 90 11 71 043 00-00 | spout | 1 | 10 |
| 19 | 09 14 10 031 90 | seal | 1 | 2 |
| 20 | 09 20 71 031-00 | handle | 1 | 10 |
| 21 | 09 14 10 148 90 | seal | 2 | 2 |
| 22 | 90 15 05 039 00 90 | cartridge | 1 | 2 |
| 23 | 09 24 04 298 90 | nut | 1 | 2 |
| 24 | 09 14 10 037 90 | seal | 1 | 2 |
| 25 | 09 28 30 036-00 | cover | 1 | 10 |
| 26 | 09 20 80 022-00 | handle | 1 | 10 |
| 27 | 90 31 11 030 00 90 | pin | 1 | 2 |
| 28 | 90 31 20 087 00-00 | plug | 1 | 10 |
| 29 | 09 14 10 139 90 | seal | 2 | 2 |
| 30 | 04 28 22 025 00 90 | connection | 2 | 2 |
| 31 | 09 20 93 051 90 | holder | 2 | 2 |
| 32 | 04 28 22 024 00-00 | pipe | 1 | 10 |
| 33 | 09 27 71 011-00 | rosette | 1 | 10 |
| 34 | 09 14 03 107 90 | seal | 1 | 2 |
| 35 | 09 14 10 084 90 | seal | 1 | 2 |
| 36 | 09 14 10 018 90 | seal | 1 | 2 |